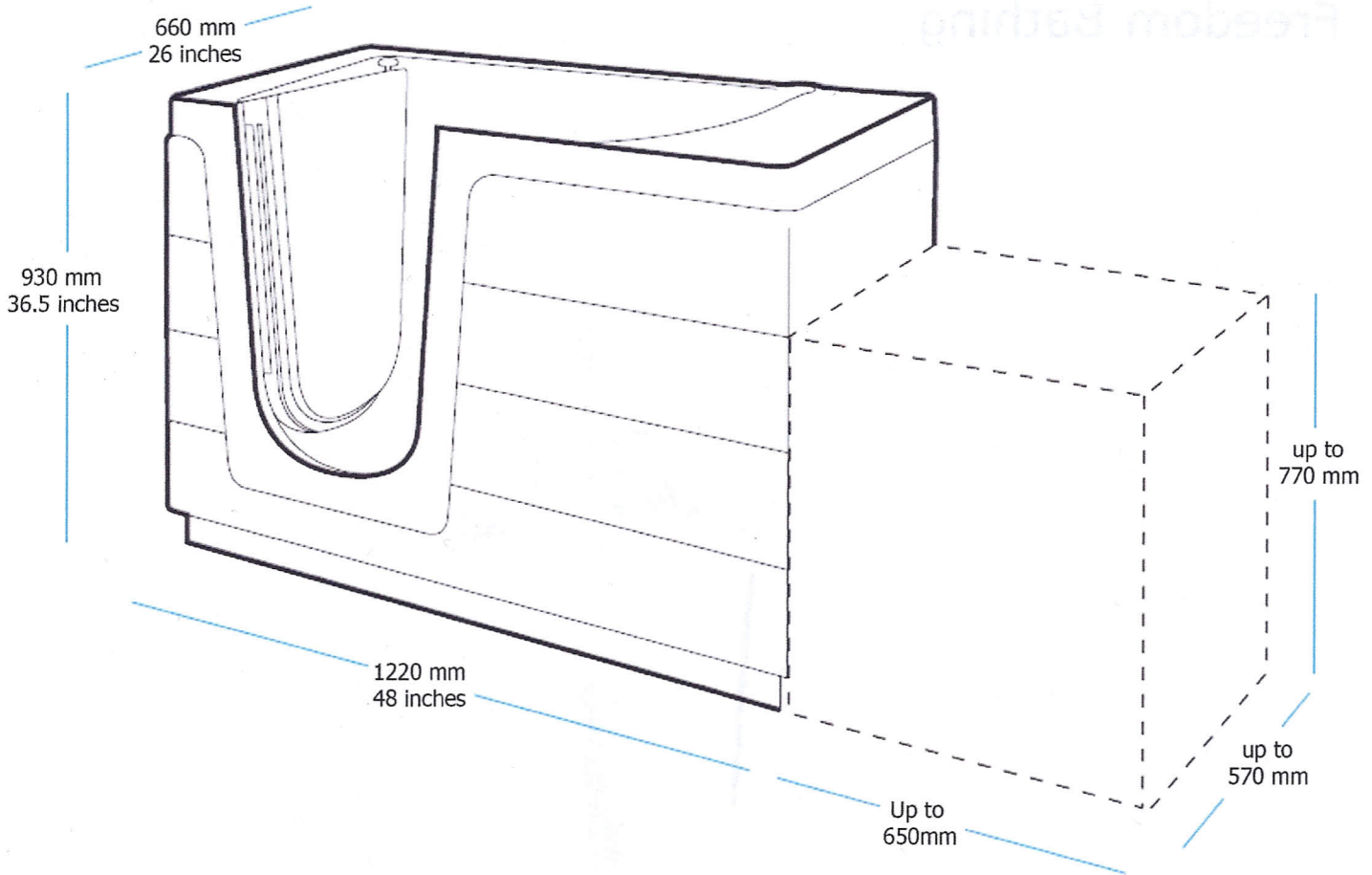


# Dimensions & Features



We set new standards with the Buckingham bath, simple, smooth, classic lines, easy to use - no wonder they are sold all over Europe and North America. This model was tested to CSA standards which involved the door being opened and closed 20,000 times! You can breathe with confidence in a Buckingham.

- The low entry door is exceptionally easy to use - just press the palm pad to open and just swing the door to latch shut.
- The water temperature is thermostatically controlled and anti-scald to TMV3 standard to ensure your complete safety, and with a choice of three seat heights you can be sure of comfort as well. All our baths incorporate an anti-slip floor.
- Optional Spa System 18 Jets requiring no maintenance.
- Available in any colour
- There are two wastes which empty twice as fast as one.
- The optional extension box allows the Buckingham to be fitted easily in a day by a competent plumber. It conceals the area revealed when the longer, existing bath is removed - no tiling or new floor covering is then needed! It can be cut or turned to suit fitting on site.
- As with all our baths we design them to be clean and pleasing on the eye without unsightly mechanisms inside and out to knock against, and of course using our proven patented technology you know that the water seal will never leak.

Suppliers of all Mobility Products

Service and Repair Centre

# Guiseley Mobility

14a Oxford Road, Guiseley, Leeds, West Yorkshire, LS20 9AS

Tel: 01943 884022

Fax: 01943 884022

e-mail: [info@guiseleymobility.com](mailto:info@guiseleymobility.com)

